

A Beginner's Guide to Structural Engineering

Miscellaneous Concrete Details

General Notes:

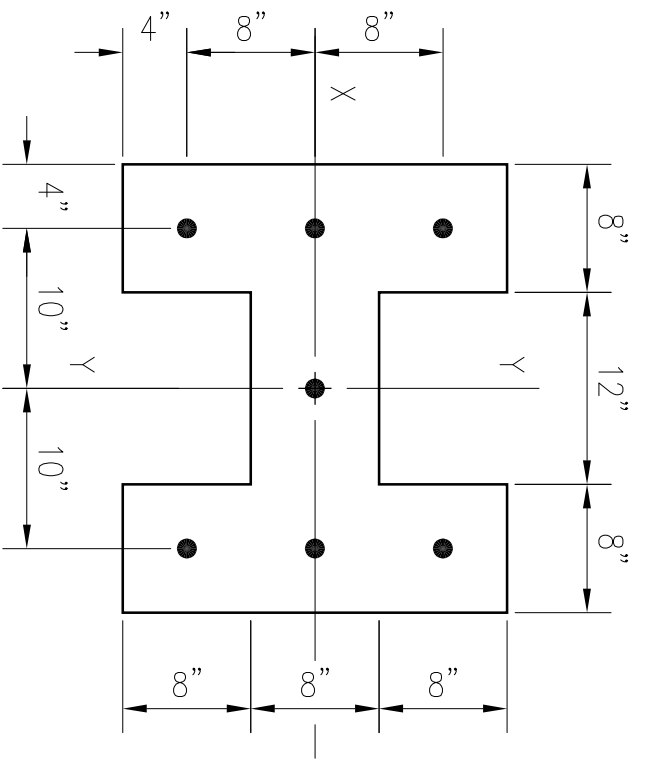
1. All member and connection design is to be in accordance with latest version of the American Concrete Institute (ACI) Building Code Requirements for Structural Concrete (ACI 318).
2. All concrete strengths are specified in the problem statements.
3. All reinforcing types are specified in the problem statements.
4. The drawings presented here are schematic in nature. Actual member types and sizes and connection configurations are subject to change during problem completion.
5. These drawings are intended for use in teaching structural steel design and are not intended for actual construction.

Sheet Index:

S1	Miscellaneous Sections
S2	Misc. Sections
S4	Beam-Beam Connections
S5	Miscellaneous Details
S6	Composite Beams

Copyright 2018 T. Bartlett Quimby

This document is the property of T. Bartlett Quimby. The copyright holder gives permission for the use of this document for legitimate educational purposes as long as appropriate reference is given to the copyright holder. No part of this document may be used for commercial purposes of any kind except by the copyright holder.

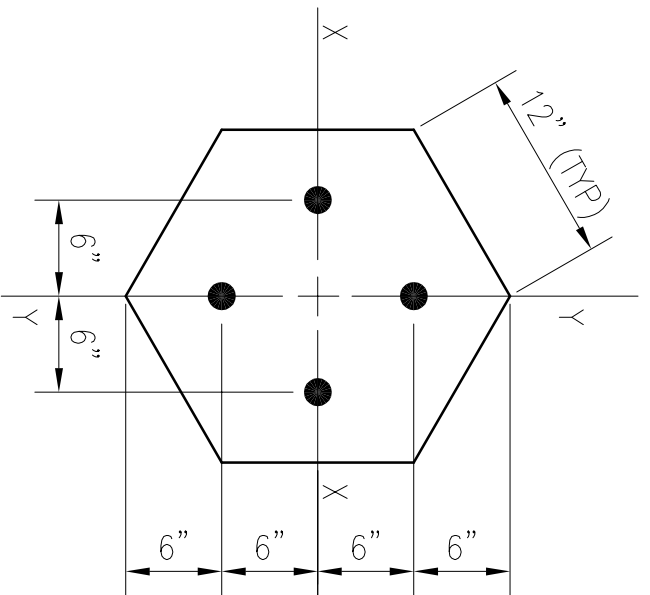


1

MISC. SECTION

BGSE: MiscDet-Conc

SCALE: 1"=1'-0"

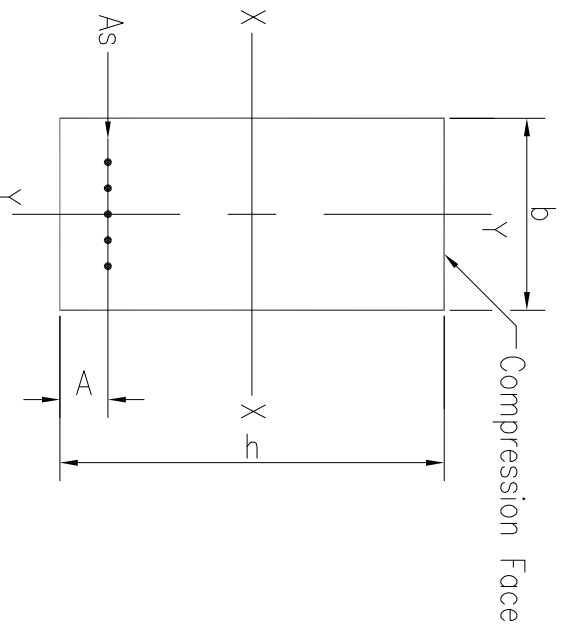


2

MISC. SECTION

BGSE: MiscDet-Concl

SCALE: 1"=1'-0"

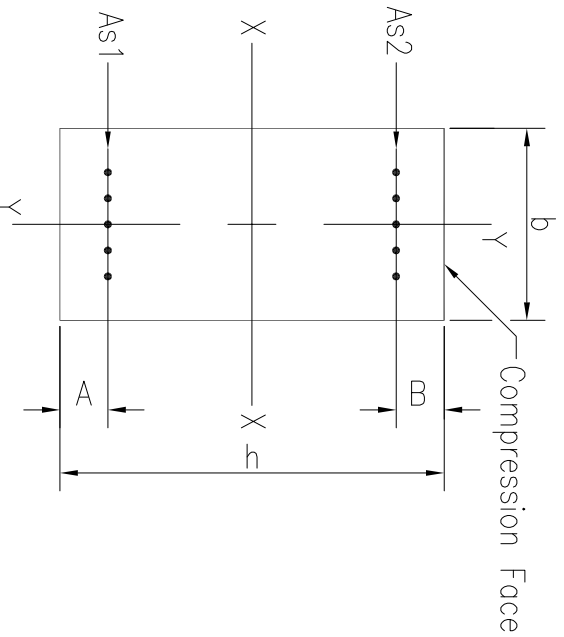


3

MISC. SECTION

BGSE: MiscDet-Conc

SCALE: NTS



4

MISC. SECTION

BGSE: MiscDet-Conc

SCALE: NTS