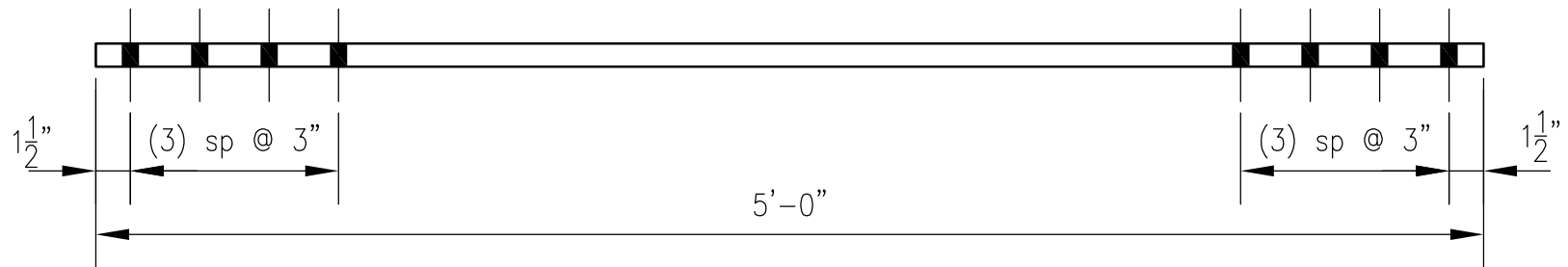


1 FACE VIEW

Chapter 3, Example 1

SCALE: 1.1/2" = 1'-0"



2 EDGE VIEW

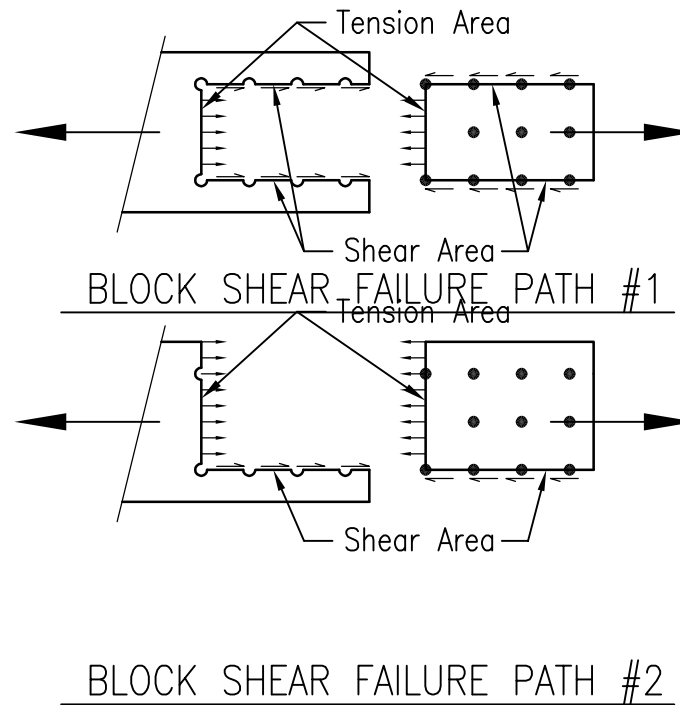
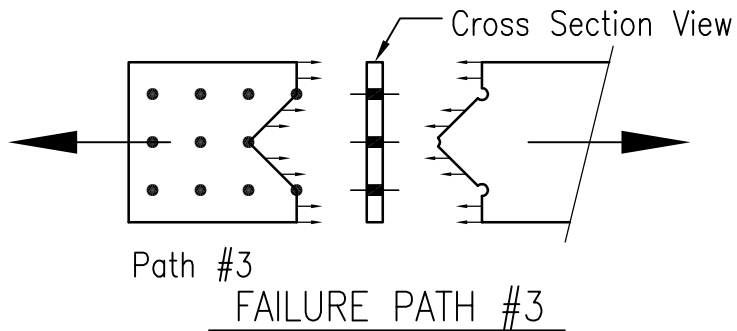
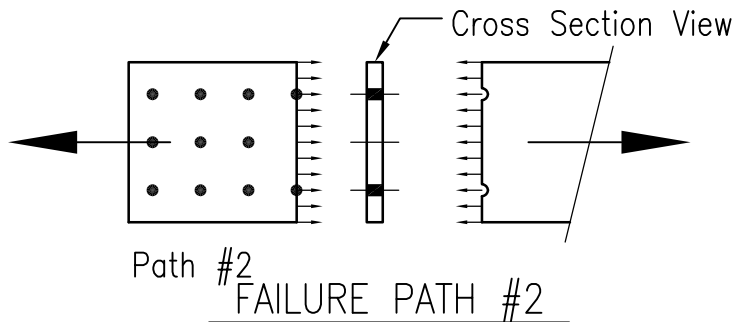
Chapter 3, Example 1

SCALE: 1.1/2" = 1'-0"

Sheet Notes:

1. Steel is ASTM A36.
2. Bolt holes are standard holes for $\frac{3}{4}$ " dia. bolts.
3. See 1/S2 for tensile fracture failure paths.
4. See 2/S2 for block shear failure paths.

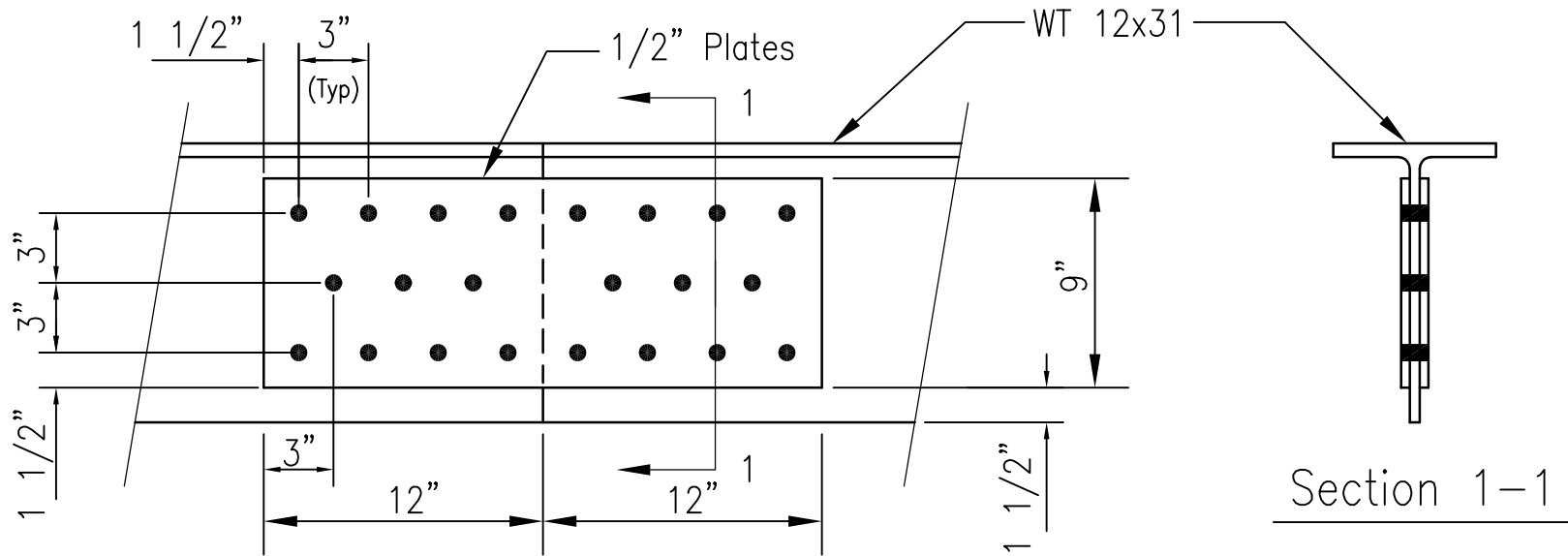
 QANDA@alaska.com	Project Description:					Revisions:	Project No.:
	Chap. 3, Example #1						
By: TBQ	Date: 2006	Checked:	Date:	Scale: 1.1/2" = 1'-0"	Sheet No.: Ex 3.1 of 4		



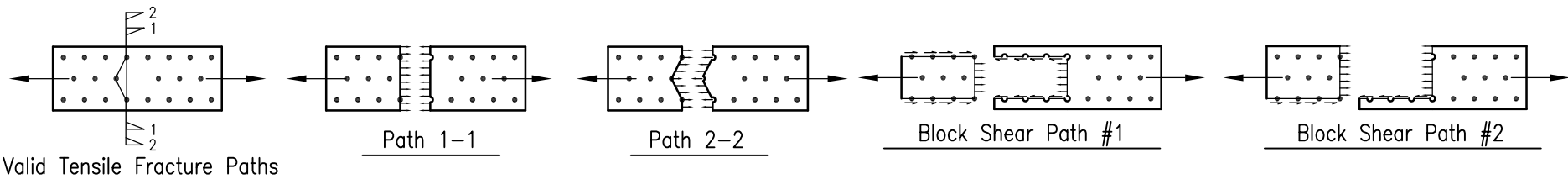
1 TENSILE FRACTURE PATHS
Chapter 3, Example 1 SCALE: 1" = 1'-0"

2 BLOCK SHEAR FAILURE PATHS
Chapter 3, Example 1 SCALE: 1" = 1'-0"

 QANDA@alaska.com	Project Description: Chap. 3, Example #1				Revisions:	Project No.: BGSCM
	By: TBQ	Date: 2006	Checked:	Date:	Scale: 1" = 1'-0"	Sheet No.: Ex 3.2 of 4



1 ELEVATION AND SECTION
 Chapter 3, Example 2 SCALE: 1.1/2" = 1'-0"



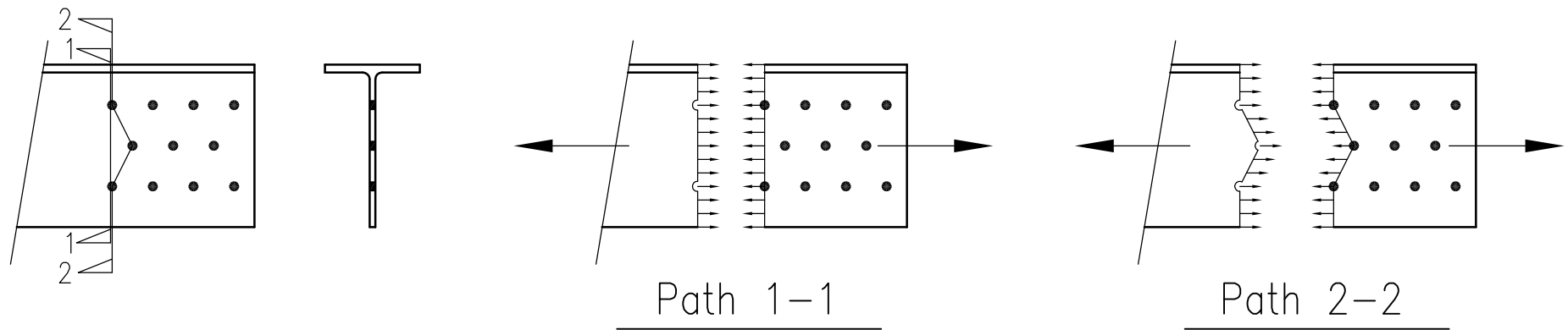
2 TENSILE FRACTURE PATHS
 Chapter 3, Example 2 SCALE: NTS

3 BLOCK SHEAR FRACTURE PATHS
 Chapter 3, Example 2 SCALE: NTS

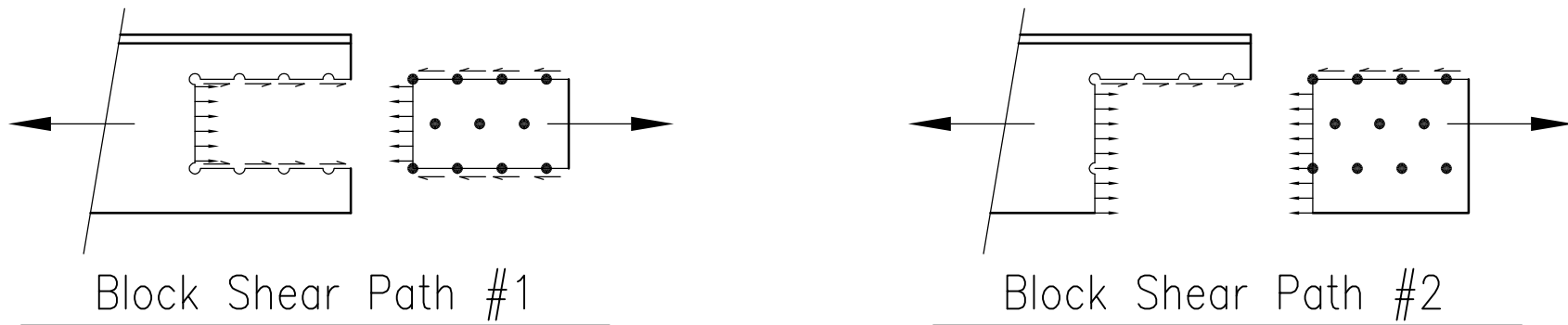
Sheet Notes:

1. Steel is ASTM A588.
2. Bolt holes are standard holes for 7/8" dia. bolts.

 QANDA@alaska.com	Project Description: Chap. 3, Example #2					Revisions:	Project No.: BGSCM
	By: TBQ	Date: 2006	Checked:	Date:	Scale: Varies		Sheet No.: Ex 3.3 of 4



1 TENSILE FRACTURE PATHS
 Chapter 3, Example 3 SCALE: 1" = 1'-0"



2 BLOCK SHEAR FRACTURE PATHS
 Chapter 3, Example 3 SCALE: 1" = 1'-0"

Sheet Notes:

1. Steel is ASTM A588.
2. Bolt holes are standard holes for $\frac{7}{8}$ " dia. bolts.

 QANDA@alaska.com	Project Description: Chap. 3, Example #3				Revisions:	Project No.: BGSCM
	By: TBQ	Date: 2006	Checked:	Date:	Scale: 1" = 1'-0"	Sheet No.: Ex 3.4 of 4